

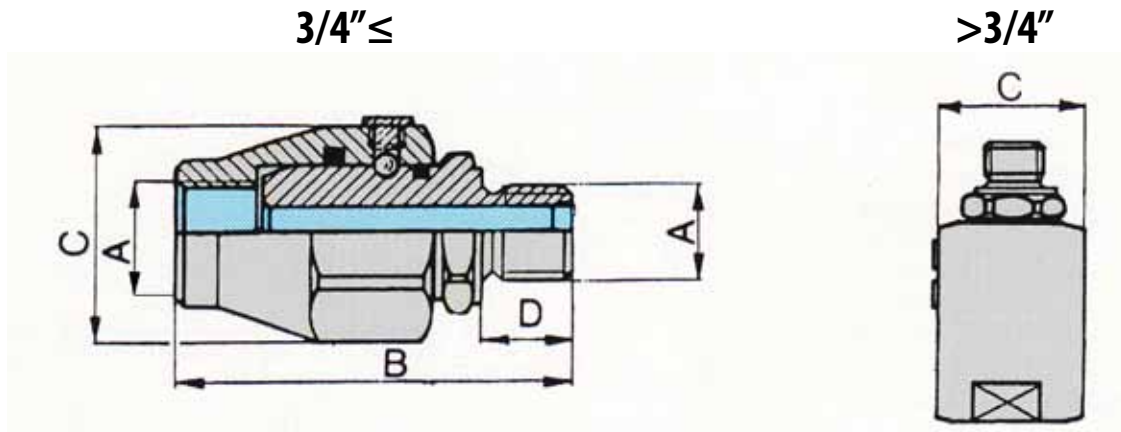
Hose Fittings: Swivel Joints

Mercia International Products Ltd



Product Information Sheet

STRAIGHT SWIVEL JOINTS - SERIES IT-SJ-10



Technical Data

Series IT-SJ-10 swivel joints are designed to be mounted between a hose assembly and a rigid component in order to allow and compensate occasional rotations, preventing hose damage. The swivel joint rotation is based on one or two rows of radial balls (one row up to size 1/2" included).

- Standard seals in nitril rubber
- Working temperatures with standard seals: -20°C+110°C
- Standard thread: BSP (GAS)
- Special materials on request: AISI 303, AISI 316, Brass
- Special seals on request: Viton, EPDM, Silicone
- Special thread on request: NPTF, Metric, UNF



Important: IT-SJ-10 series is not suitable for **continuous** or **fast rotation**

Part No	A		B		C		D		MAX PRESSURE IN ROTATION		STATIC MAX PRESSURE	
	inch	mm	inch	mm	inch	mm	inch	mm	bar	psi	bar	psi
IT-SJ 10-04	1/4"	61	2,40	33	1,30	11	0,43	200	2900	400	5800	
IT-SJ 10-06	3/8"	66	2,60	37	1,85	14	0,55	200	2900	400	5800	
IT-SJ 10-08	1/2"	70	2,75	42	1,65	15	0,59	150	2175	300	4350	
IT-SJ 10-12	3/4"	79	3,10	50	1,90	19	0,75	150	2175	300	4350	
IT-SJ 10-16	1"	90	3,50	ø55	2,16	21	0,82	100	1450	300	4350	
IT-SJ 10-20	1".1/4"	101	3,90	ø60	2,36	24	0,94	100	1450	300	4350	
IT-SJ 10-24	1.1/2"	110	4,30	ø70	2,75	25	0,98	80	1160	300	4350	
IT-SJ 10-32	2"	118	4,60	ø85	3,34	27	1,06	50	725	250	3625	
IT-SJ 10-40	2.1/2"	138	5,40	ø98	3,85	30	1,18	50	725	250	3625	



Unit 2 - Block 1 - Shenstone Trading Est. - Bromsgrove Rd
 Halesowen - West Midlands - B63 3XB - England
 Tel: +44 (0) 121 504 9040 Fax: +44 (0) 121 585 7969
 Email: sales@merciaint.co.uk Web: www.merciaint.co.uk

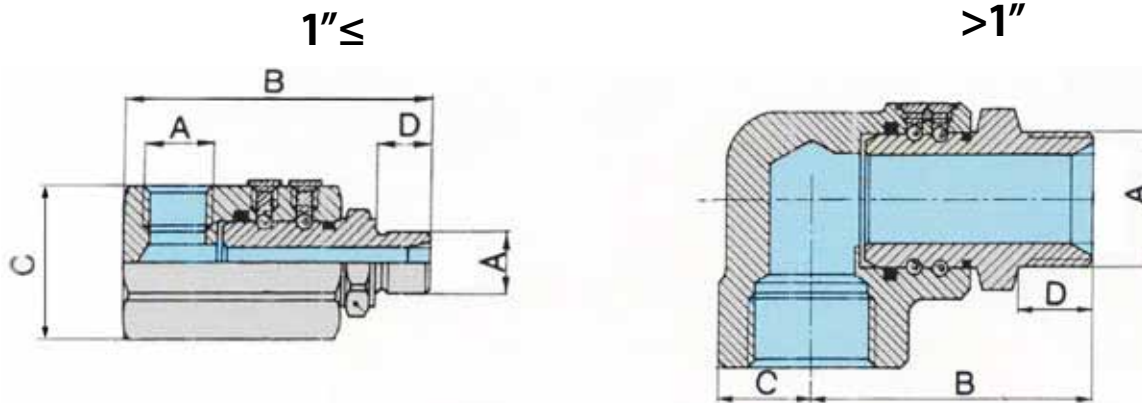
Hose Fittings: Swivel Joints

Mercia International Products Ltd



Product Information Sheet

90° SWIVEL JOINTS - SERIES IT-SJ-90



Technical Data

Series IT-SJ-90 swivel joints are designed to be mounted between a hose assembly and a rigid component in order to allow and compensate occasional rotations, preventing hose damage. The swivel joint rotation is based on one or two rows of radial balls (one row up to size 1/2" included).

- Standard seals in nitril rubber
- Working temperatures with standard seals: -20°C+110°C
- Standard thread: BSP (GAS)
- Special materials on request: AISI 303, AISI 316, Brass
- Special seals on request: Viton, EPDM, Silicone
- Special thread on request: NPTF, Metric, UNF



Important: IT-SJ-90 series is not suitable for **continuous** or **fast rotation**

Part No	A		B		C		D		MAX PRESSURE IN ROTATION		STATIC MAX PRESSURE	
	inch	mm	inch	mm	inch	mm	inch	mm	bar	psi	bar	psi
IT-SJ 90-04	1/4"	69	2,71	30,5	1,20	11	0,43	200	2900	400	5800	
IT-SJ 90-06	3/8"	78	3,10	41,5	1,63	14	0,55	200	2900	400	5800	
IT-SJ 90-08	1/2"	86	3,38	44	1,73	15	0,60	150	2175	300	4350	
IT-SJ 90-12	3/4"	99	3,90	58	2,30	19	0,75	150	2175	300	4350	
IT-SJ 90-16	1"	113	4,45	ø60	2,36	21	0,82	100	1450	300	4350	
IT-SJ 90-20	1".1/4"	92	3,62	ø31,5	1,24	24	0,94	100	1450	300	4350	
IT-SJ 90-24	1.1/2"	104	4,10	38	1,5	25	0,98	80	1160	300	4350	
IT-SJ 90-32	2"	111	4,37	45	1,77	27	1,06	50	725	250	3625	
IT-SJ 90-40	2.1/2"	135	5,31	55	2,16	30	1,18	50	725	250	3625	



Unit 2 - Block 1 - Shenstone Trading Est. - Bromsgrove Rd
Halesowen - West Midlands - B63 3XB - England
Tel: +44 (0) 121 504 9040 Fax: +44 (0) 121 585 7969
Email: sales@merciaint.co.uk Web: www.merciaint.co.uk